



Product Description:



ASTM F679 Gravity Sewer Pipe

North American Pipe's ASTM F679 Gravity Sewer PVC product line is manufactured to meet the needs of modern municipal waste water systems, storm drainage systems, or other non-pressure large diameter applications. With top quality raw materials and modern processing technology North American Pipe's ASTM F679 Gravity Sewer pipe meets all industry standards in addition to our own rigorous quality control standards. North American Pipe's ASTM F679 Gravity Sewer pipe utilizes Reiber style gaskets throughout the entire product offering. North American Pipe produces a full range of ASTM F679 Gravity Sewer pipe in PS-46 and PS-115 classifications. Whether specifying or installing our pipe you can be assured that North American Pipe will provide the pipe "Right, On Time, All the Time".

This product is made in accordance with the following specifications:

ASTM D1784
ASTM D3212

ASTM F679

ASTM F477

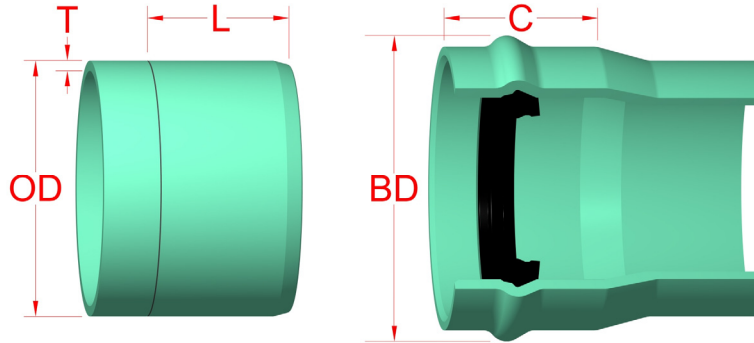
Short Form Specification for North American Pipe Corporation ASTM F679 Gravity Sewer Pipe

PVC gravity sewer pipe shall be made from a compound conforming to a cell classification of 12454 or 12364 as defined by ASTM D1784 and in accordance with ASTM F679 for sizes eighteen inch through thirty six inch. The wall thickness, when tested according to ASTM D3412, shall correspond to a pipe stiffness value of 46 or a pipe stiffness of 115 for heavy wall pipe. Integral bells shall incorporate locked in gaskets meeting the requirements of ASTM D3212 and F477. The pipe shall be provided in lengths of 14 feet or 20 feet as required.





ASTM F679 Gravity Sewer Pipe



NOMINAL PIPE SIZE	OUTSIDE DIA. – NOM. (OD)	*APPROX. BELL DIA. (BD)	**APPROX. BELL DEPTH (C)	INSERT MARK (L)
18"	18.701	21.50	9.50	8.50
21"	22.047	25.00	10.25	9.25
24"	24.803	28.00	11.00	10.00
27"	27.953	33.00	12.25	11.25
30"	32.000	36.00	15.13	14.13
36"	38.300	43.30	19.13	18.13

NOMINAL PIPE SIZE	PS 46 (T) min.	PS 115 (T) min.
18"	.499	.671
21"	.588	.791
24"	.661	.889
27"	.745	1.002
30"	.853	1.148
36"	1.021	1.373

Note: These dimensions are for estimating purposes only * Dimension given for Approx. Bell Diameter (BD) is for highest pressure class ** Nominal depth, depth will vary by pressure class

Rev: 09/2011