



North American Pipe Corporation

www.northamericanpipe.com

Product Description:



AWWA C900-07 Municipal Water Pipe

North American Pipe's AWWA C900-07 PVC product line is manufactured to meet the needs of modern municipal water distribution systems. With top quality raw materials and modern processing technology North American Pipe's C900-07 pipe meets all industry standards in addition to our own rigorous quality control standards. North American Pipe's C900-07 pipe utilizes Reiber style gaskets throughout the entire product offering. North American Pipe produces a full range of CIOD pipe in DR-14, DR-18, and DR-25 classifications. Whether specifying or installing our pipe you can be assured that North American Pipe will provide the pipe "Right, On Time, All the Time".

This product is made in accordance with the following specifications:

AWWA C900-07
ASTM F477
PPI TR-3

ASTM D1784
ANSI/NSF 14
UL 1285

ASTM D3139
ANSI/NSF 61
FM 1612

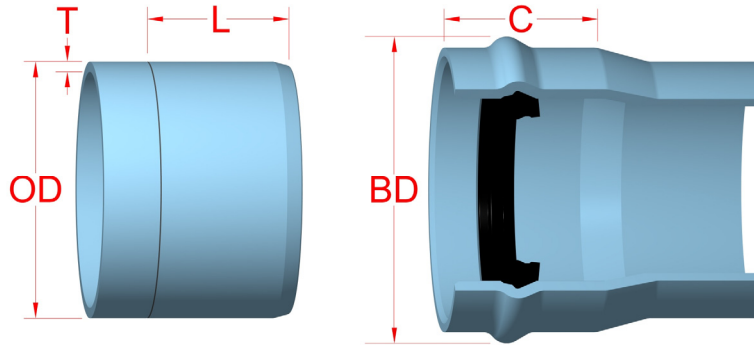
Short Form Specification for North American Pipe Corporation AWWA C900-07 Municipal Water Pipe

Water main distribution pipe shall be made in accordance with AWWA C900-07 from a compound conforming to a cell classification of 12454 as defined by ASTM D1784. Integral bells shall incorporate gaskets meeting the requirements of ASTM F477 and be locked into the bell. The assembled joint shall meet the requirements of ASTM D3139. The laying length of the pipe shall be 20 feet. The pipe and gasket must be tested and approved for contact with potable water in accordance with ANSI/NSF 61. The pipe and gasket shall be listed by Underwriters Laboratory and approved by Factory Mutual.





AWWA C900-07 Municipal Water Pipe



NOMINAL PIPE SIZE	OUTSIDE DIA. – NOM. (OD)	*APPROX. BELL DIA. (BD)	**APPROX. BELL DEPTH (C)	INSERT MARK (L)
4"	4.80	6.50	5.00	3.88
6"	6.90	9.25	5.75	5.13
8"	9.05	11.75	7.00	6.13
10"	11.10	14.25	7.25	6.63
12"	13.20	16.75	8.00	7.38

NOMINAL PIPE SIZE	PC 165 DR 25 (T)	PC 235 DR 18 (T)	PC 305 DR 14 (T)
4"	.192	.267	.343
6"	.276	.383	.493
8"	.362	.503	.646
10"	.444	.617	.793
12"	.528	.733	.943

Note: These dimensions are for estimating purposes only * Dimension given for Approx. Bell Diameter (BD) is for highest pressure class ** Nominal depth, depth will vary by pressure class

Rev: 02/2011